



Thornhill, Ontario
Canada

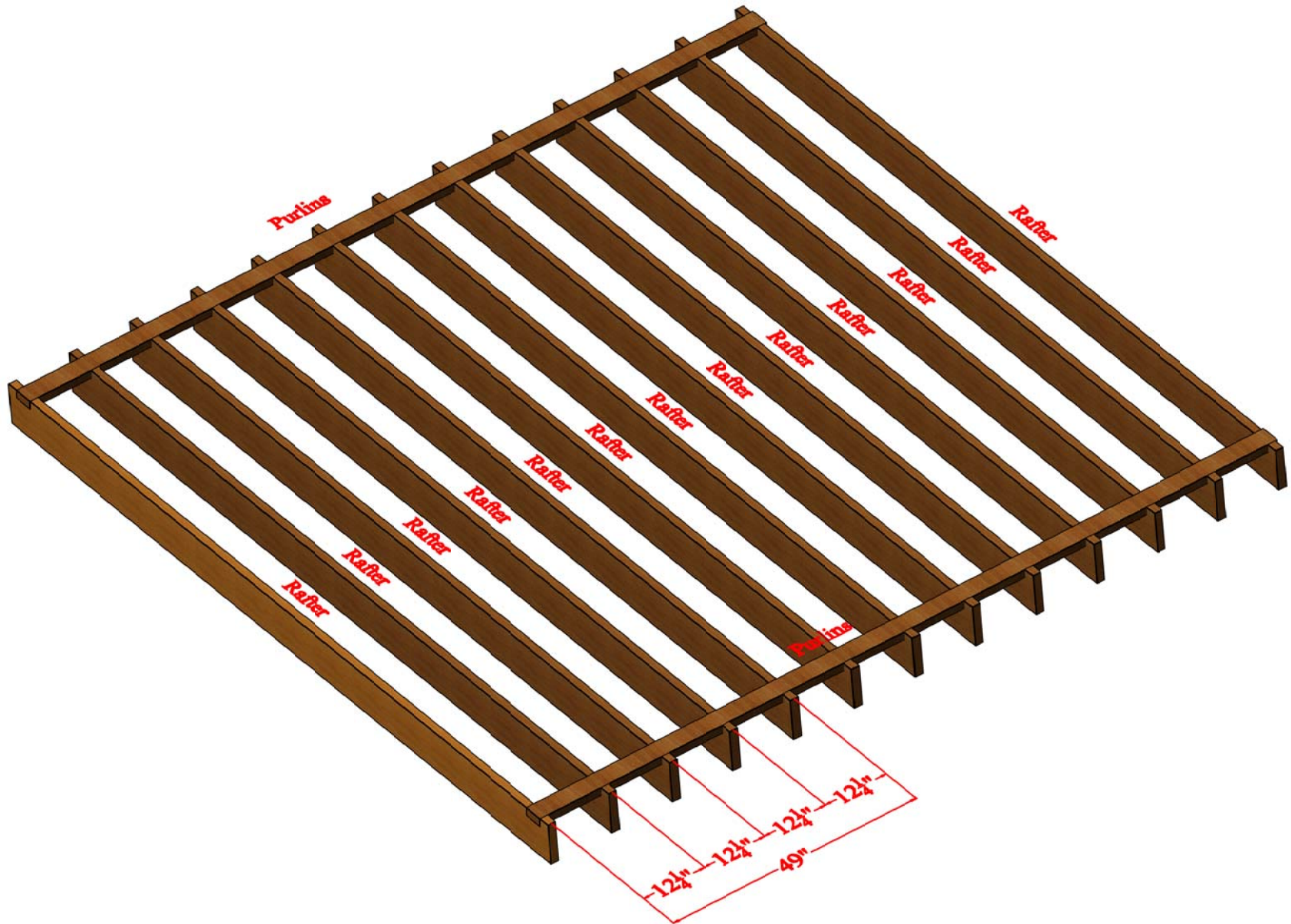
(905) 597-5710

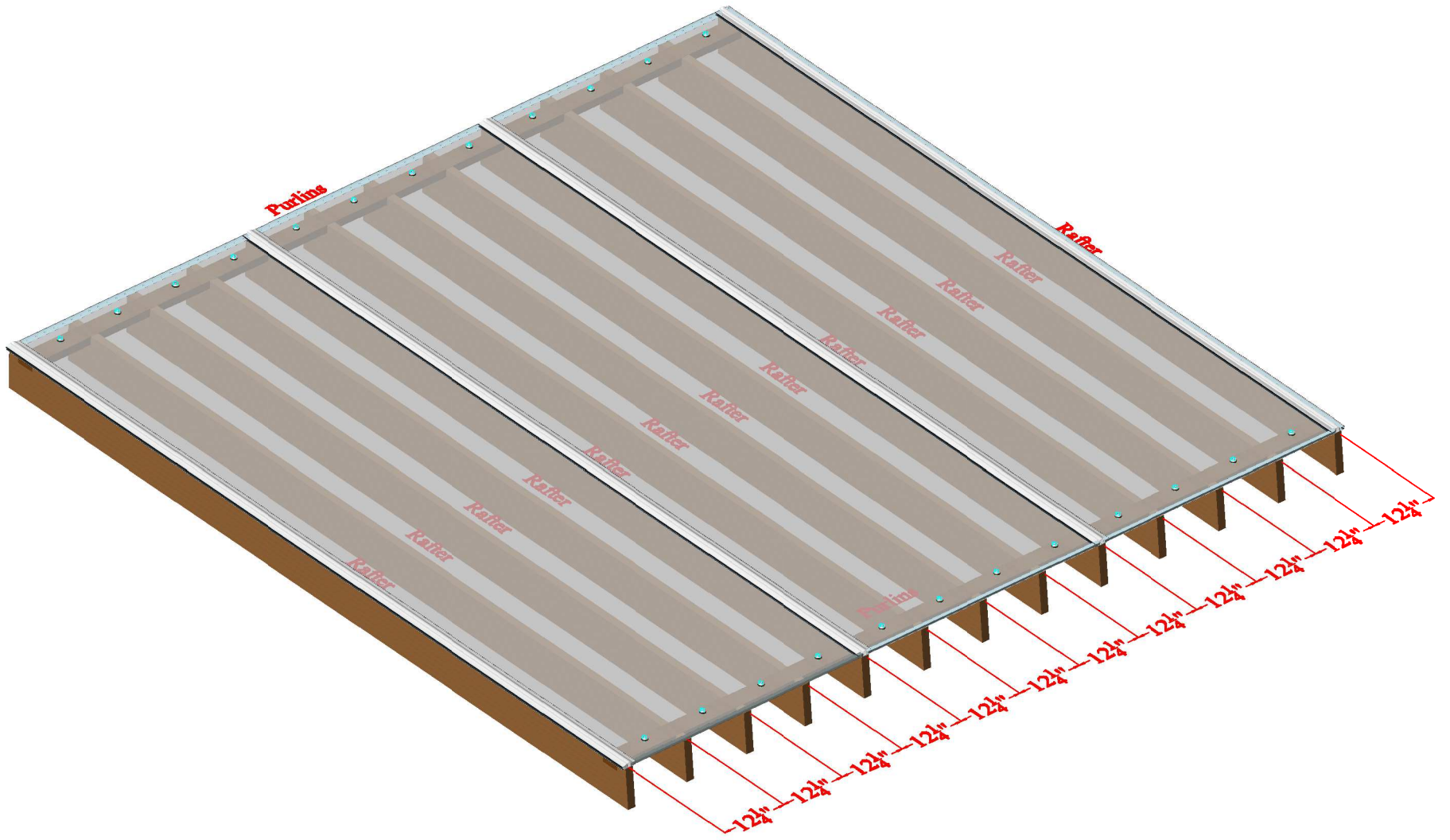
sales@greenwallsolutions.com

www.greenwallsolutions.com

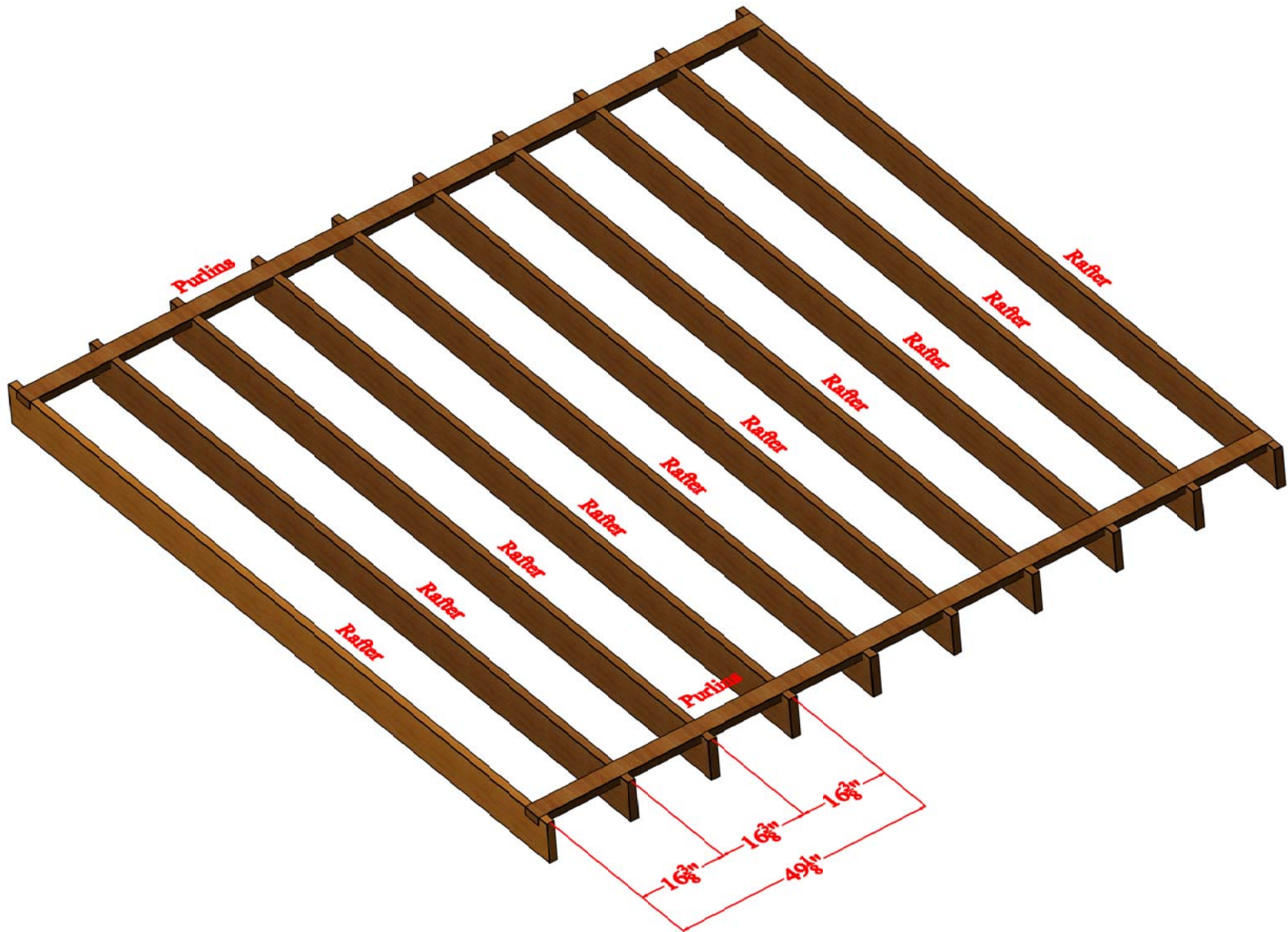
Patio Cover support concepts

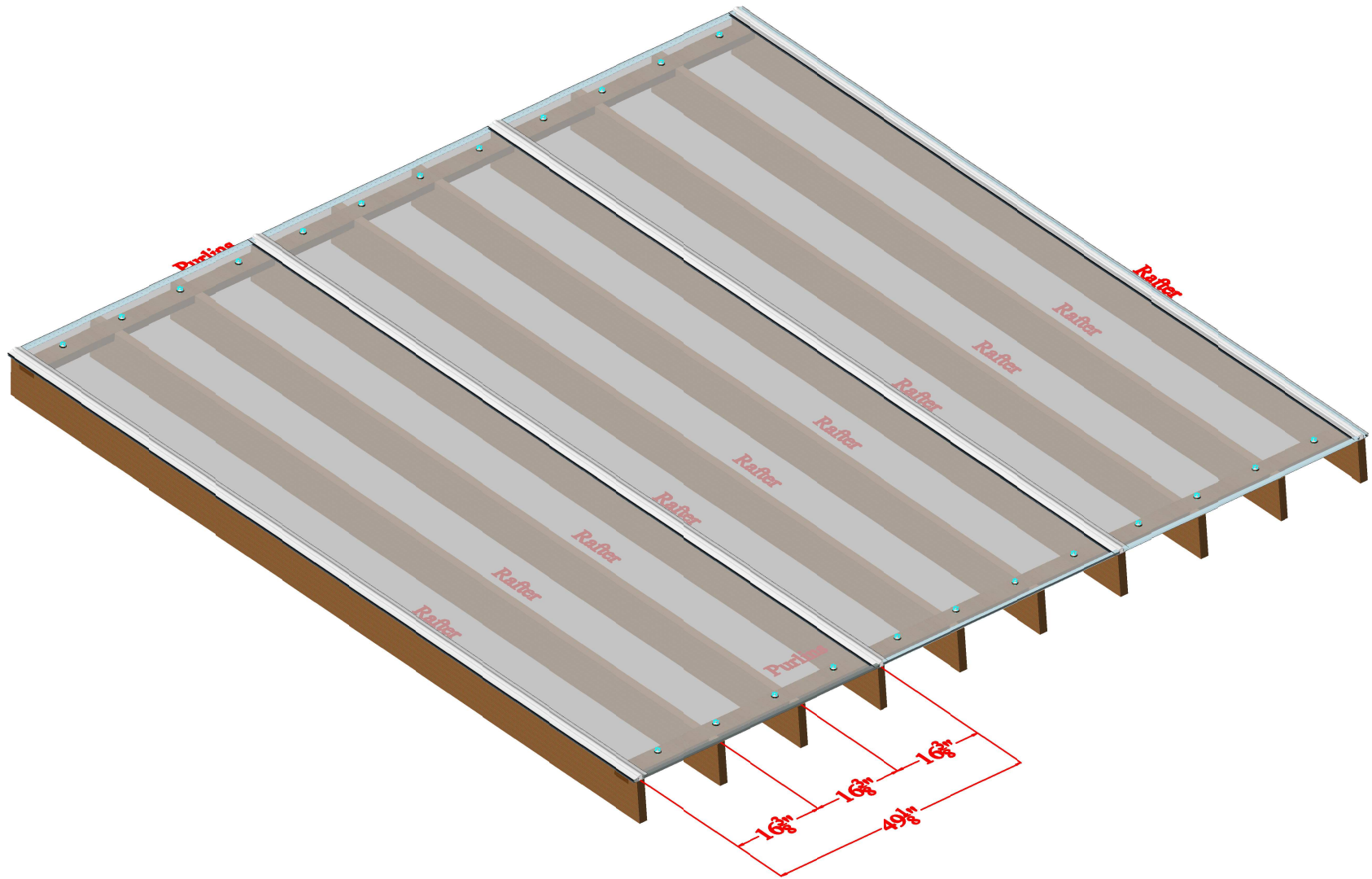
Rafters/Joist at 12 1/4" centers



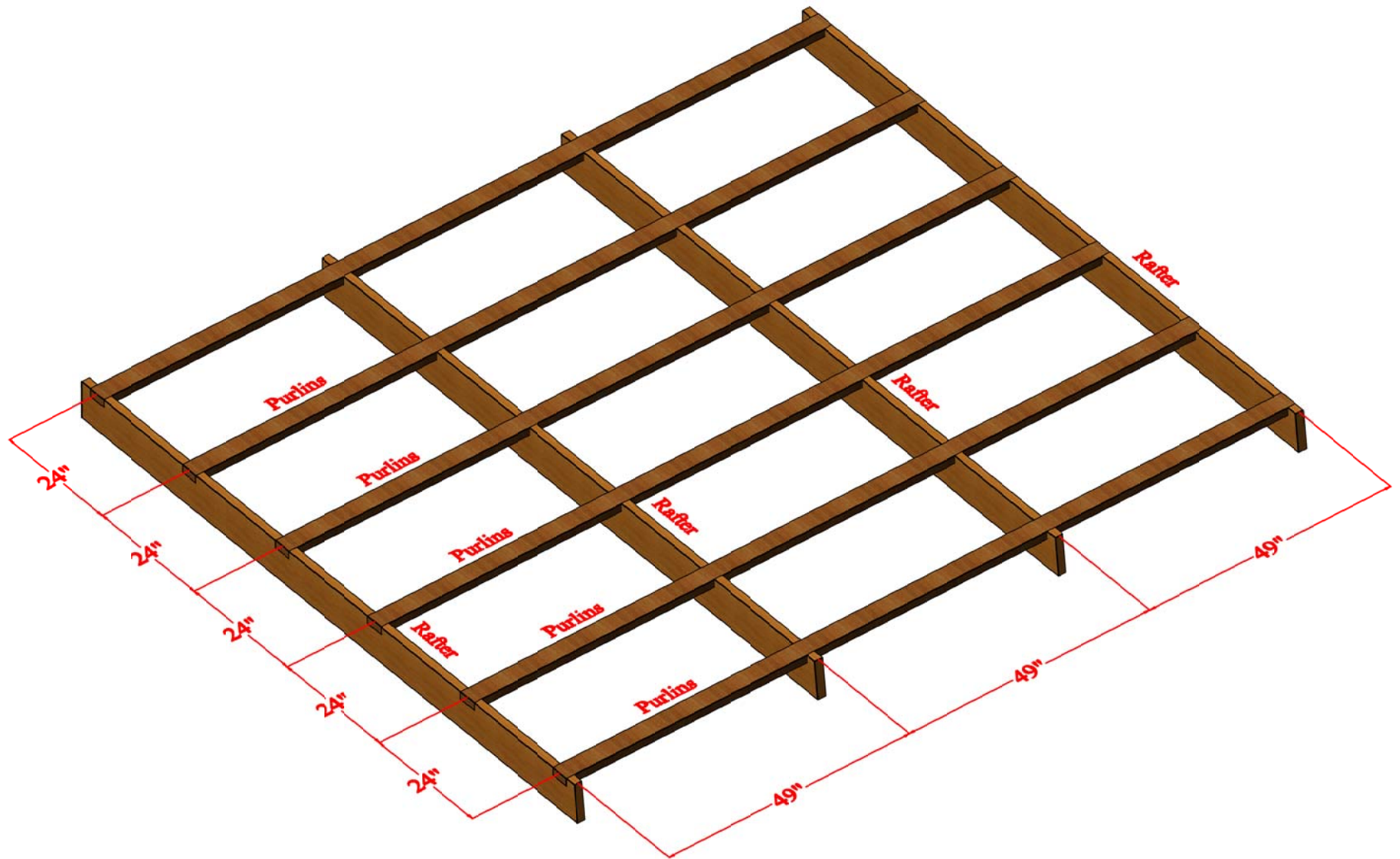


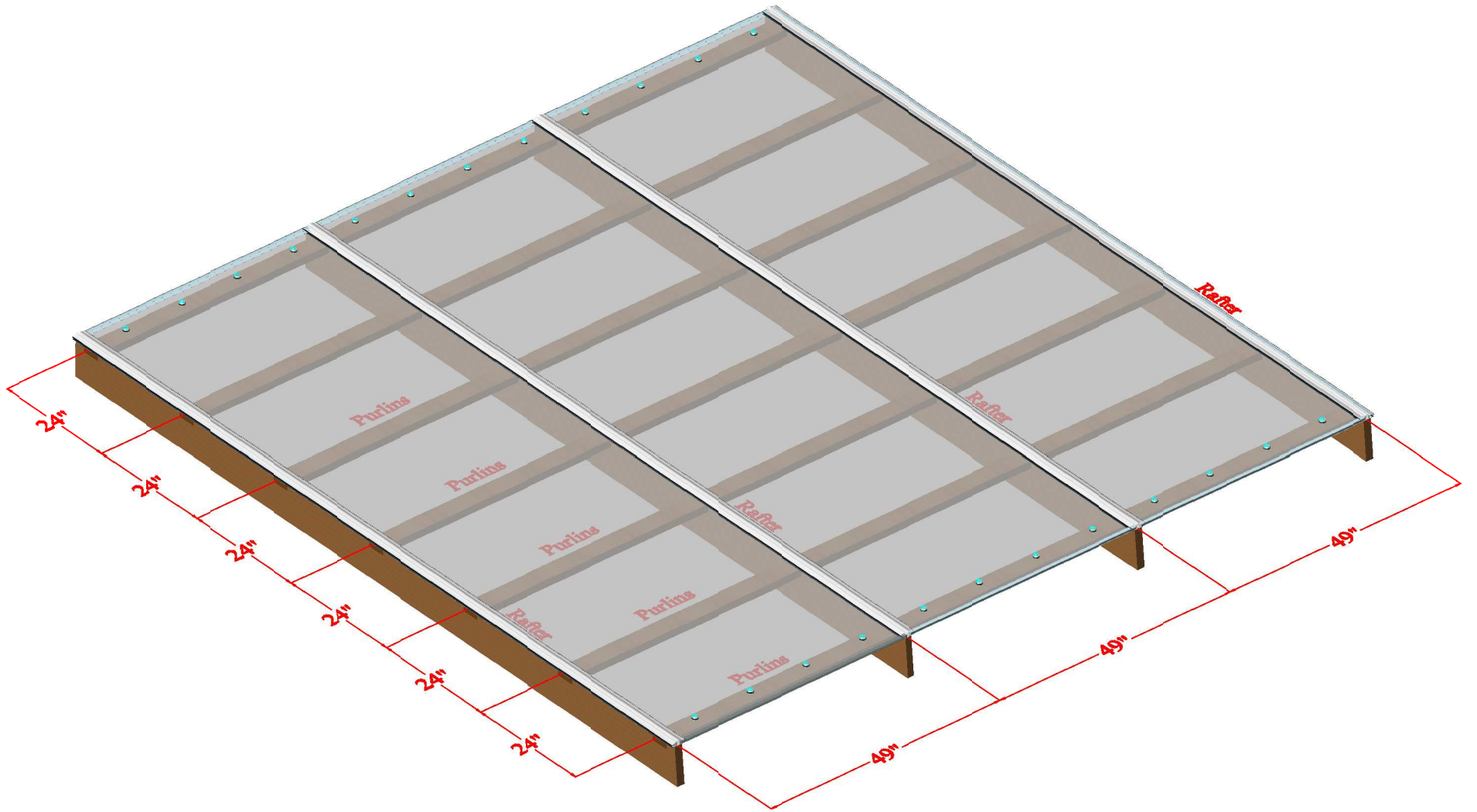
Rafters/Joist at 16 3/8" centers



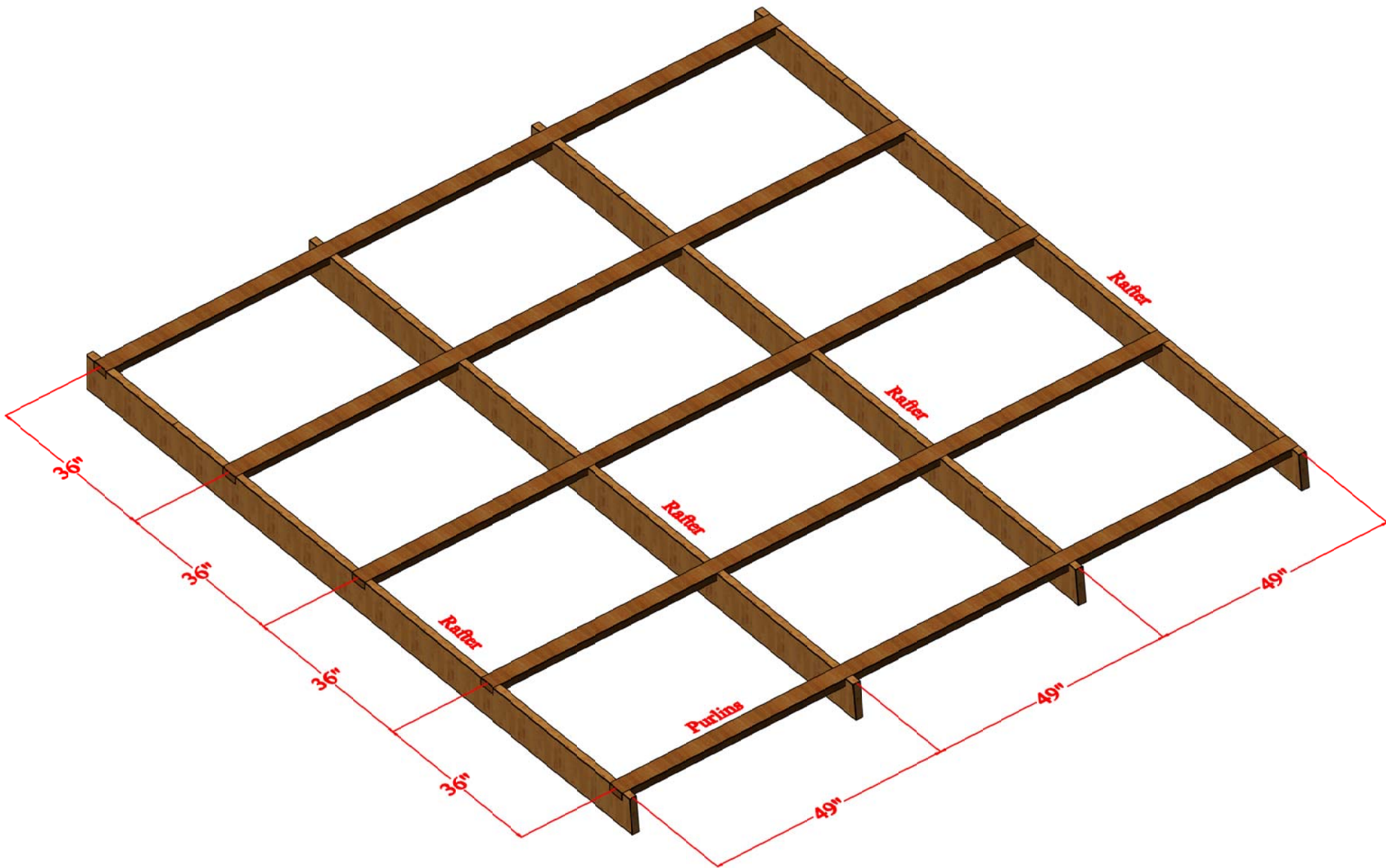


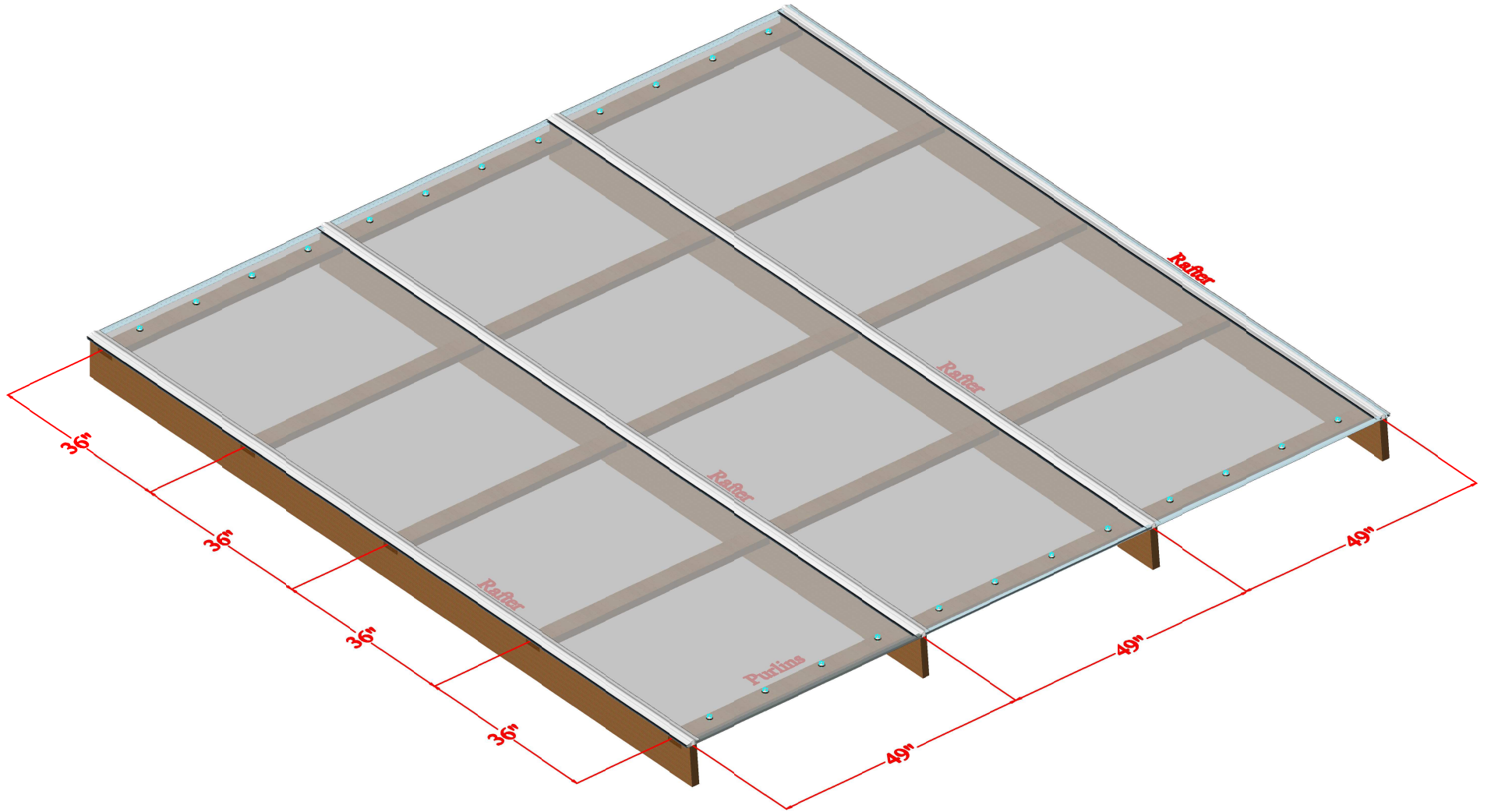
Rafters/Joist at 49" centers, Purlins at 24"



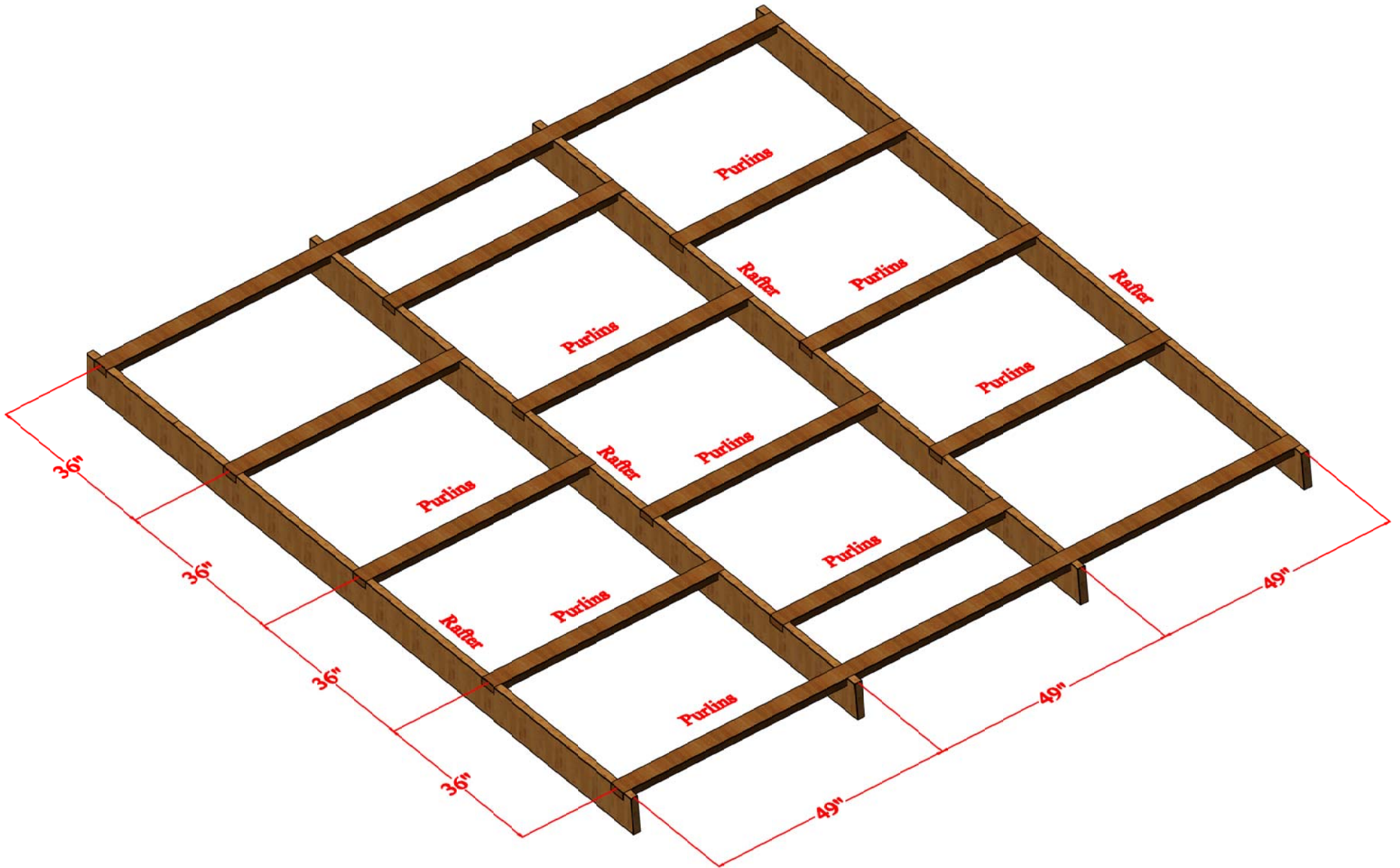


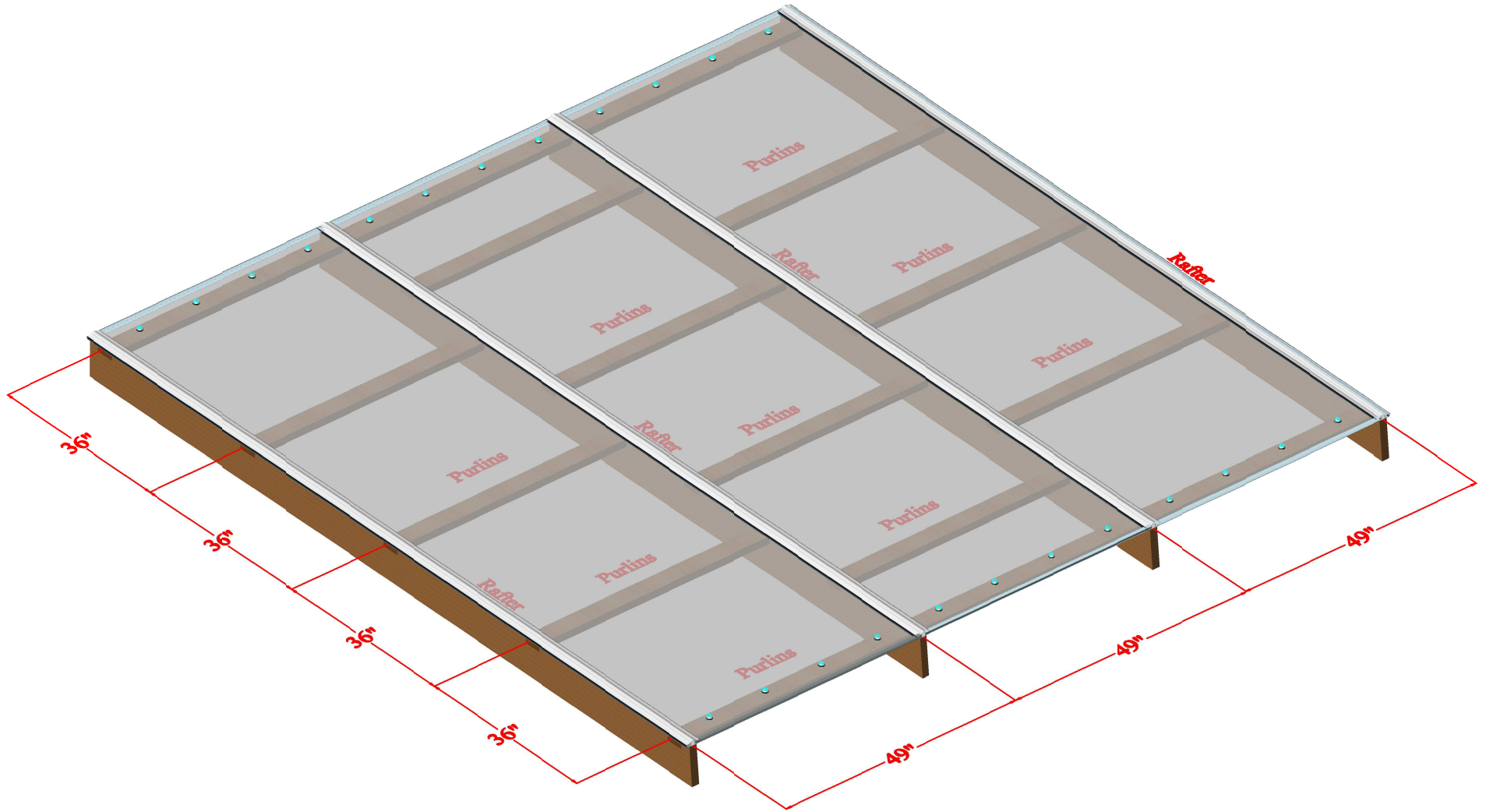
Rafters/Joist at 49" centers, Purlins at 36"





Rafters/Joist at 49" centers, Purlins at 36"





Notes:

- For sheets longer than 16' we recommend using 16mm sheets to reduce buckling affect.
- We strongly recommend having slope of 10% or greater

- Support Method - Normal snow load of 20 to 35 PSF
 - Option # 1 for 16mm sheets
 - When rafters/Joist at 49" on centers
 - Purlins (cross support) every 24" to 36"

 - Option # 2 for 16mm Sheet
 - Rafters/Joist at 24 ½" on centers
 - Purlins (cross support) at top and bottom

 - Option # 3 for 10mm sheets
 - When rafters/Joist at 49" on centers
 - Purlins (cross support) every 16" to 24"

 - Option # 4 for 10mm Sheet
 - Rafters/Joist at 16 ¾" or 12 ¼" on centers
 - Purlins (cross support) at top and bottom

The information provided is intended for review only. Greenwall Solutions Inc. is not, and will not be responsible for any damage or loss caused by incorrect use of this information and/or erroneous interpretation. Always consult with an architect and/or civil engineer when applying the information provided.